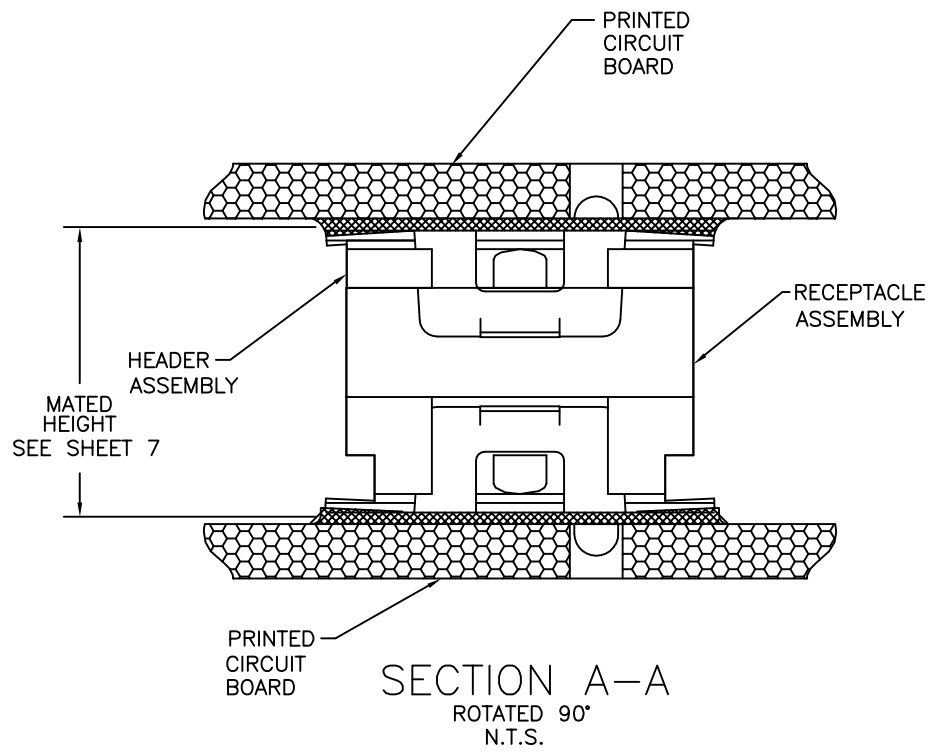
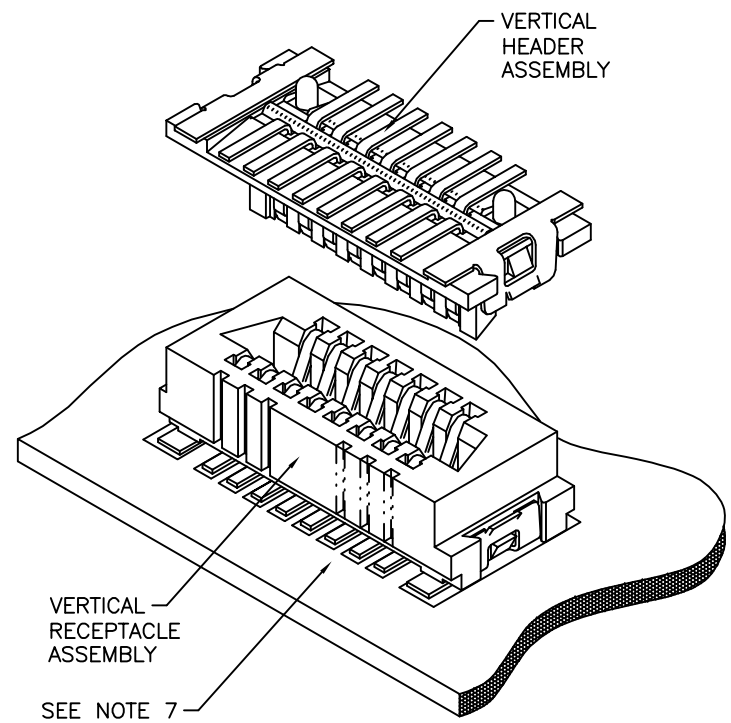


Tous droits strictement reserves. Reproduction ou communication a des tiers interdite sous quelque forme que ce soit sans autorisation écrite du propriétaire. Propriete de c FCI. Droits de reproduction FCI.

All rights strictly reserved. Reproduction or issue to third parties in any form whatever is not permitted without written authority from the proprietor. Property of FCI. Copyright FCI.



PRODUCT NUMBER
SEE TABLE

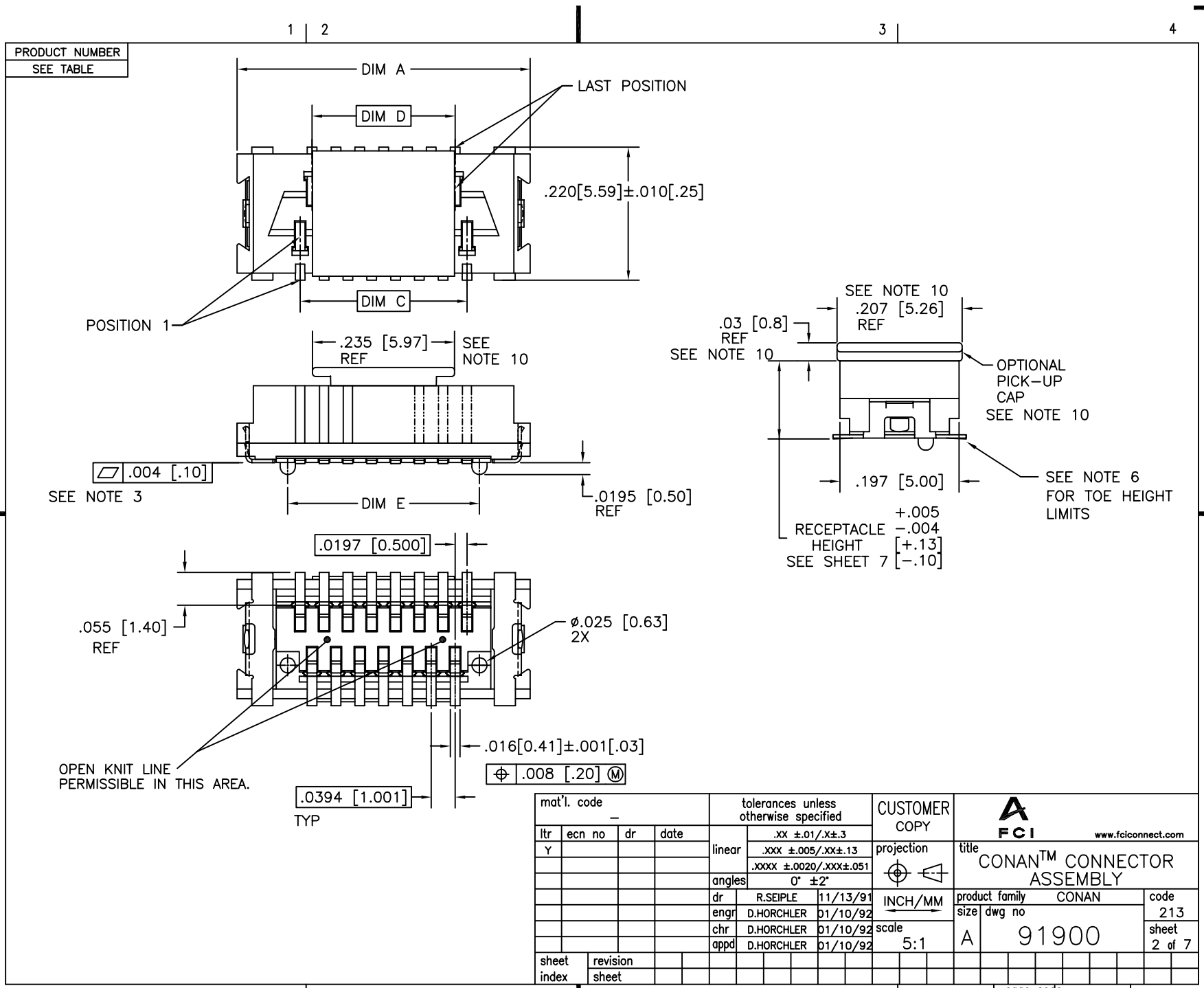


mat'l. code				tolerances unless otherwise specified				CUSTOMER COPY		 www.fciconnect.com	
ltr	ecn no	dr	date	linear	.xx ±.01/.x±.3			projection		title	
S	V61349	EPK	09/13/96		.xxx ±.005/.xx±.13					CONAN™ CONNECTOR ASSEMBLY	
T	V61746	EPK	11/25/96	angles	.xxxx ±.0020/.xxx±.051				product family		
U	V70158	EPK	02/05/96		0° ±2'				CONAN		
V	V91454	EPK	07/01/99	dr	R.SEIPLE	11/13/91	INCH/MM	scale	code		
W	V11093	CRG	03/21/01	enrg	D.HORCHLER	01/10/92			213		
X	V12858	CRG	12/20/01	chr	D.HORCHLER	01/10/92	5:1	A	sheet		
Y	V03-1347	PJ	01/23/04	appd	D.HORCHLER	01/10/92			1 of 7		
sheet index	revision sheet	Y	Y	Y	Y	Y	Y	Y	cage code		
		1	2	3	4	5	6	7	22526		

ACAD

Tous droits strictement réservés. Reproduction ou communication à des tiers interdite sous quelque forme que ce soit sans autorisation écrite du propriétaire. Propriété de c FCI. Droits de reproduction FCI.

All rights strictly reserved. Reproduction or issue to third parties in any form whatever is not permitted without written authority from the proprietor. Property of FCI. Copyright FCI.



mat'l. code		-		tolerances unless otherwise specified		CUSTOMER COPY		www.fciconnect.com	
ltr	ecn no	dr	date	linear	.xx ±.01/.x±.3	projection	title		
Y					.xxx ±.005/.xx±.13		CONANT™ CONNECTOR ASSEMBLY		
				angles	.xxxx ±.0020/.xxx±.051	INCH/MM	product family	CONAN	code
				dr	0° ±2'	scale	size	CONAN	213
				enr		5:1	dwg no	91900	sheet
				chr	R.SEIPLE 11/13/91		A		2 of 7
				appd	D.HORCHLER 01/10/92				
sheet index	revision sheet								
							cage code	22526	

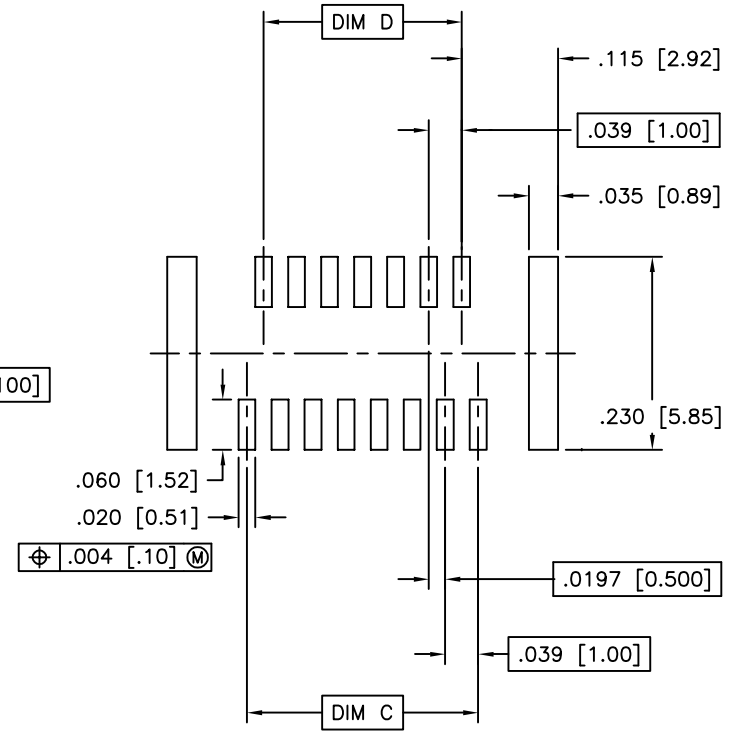
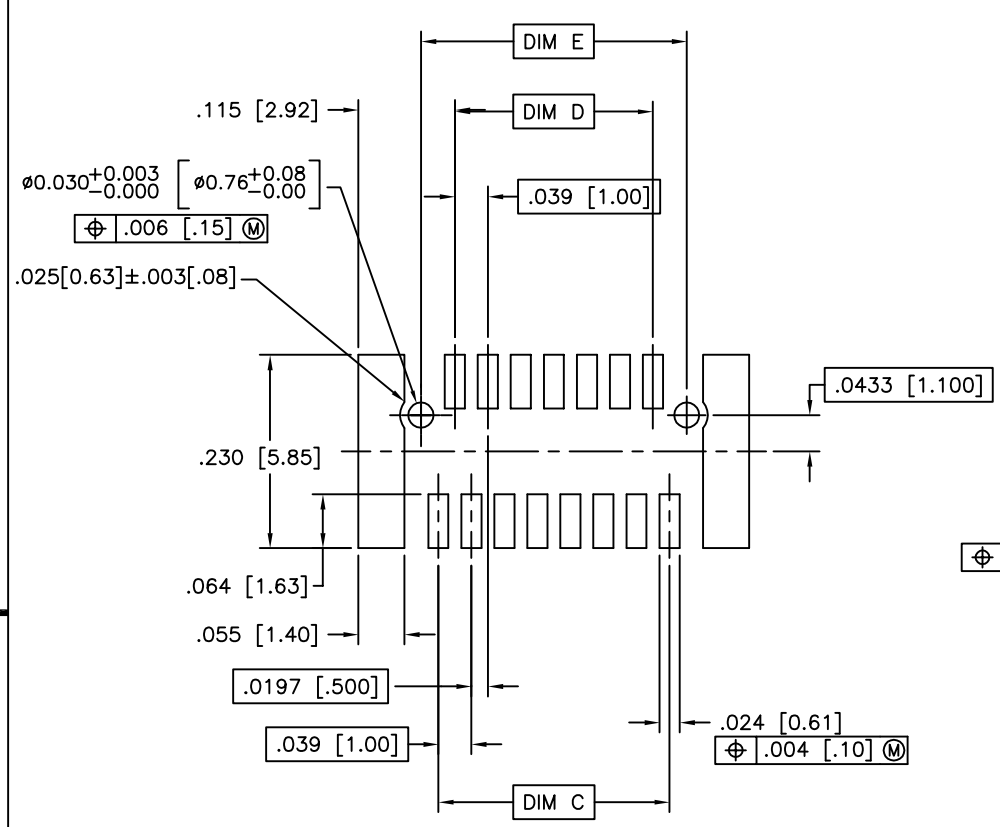
ACAD

Tous droits strictement reserves. Reproduction ou communication a des tiers interdite sous quelque forme que ce soit sans autorisation écrite du propriétaire. Propriete de c FCI. Droits de reproduction FCI.



All rights strictly reserved. Reproduction or issue to third parties in any form whatever is not permitted without written authority from the proprietor. Property of FCI. Copyright FCI.

PRODUCT NUMBER
SEE TABLE



mat'l. code		tolerances unless otherwise specified		CUSTOMER COPY		www.fciconnect.com	
ltr	ecn no	dr	date	linear	.xx $\pm .01$ / .xx $\pm .3$	projection	title
Y					.xxx $\pm .005$ / .xx $\pm .13$		CONAN™ CONNECTOR ASSEMBLY
				angles	.xxx $\pm .0020$ / .xxx $\pm .051$	INCH/MM	product family CONAN
				dr	0° $\pm 2'$	scale	code 213
				enr	M.CORNMAN 04/29/94	5:1	size dwg no
				chr	D.WHITING 04/29/94		A 91900
				appd	D.WHITING 04/29/94		sheet 3 of 7
sheet index	revision sheet						

cage code
22526

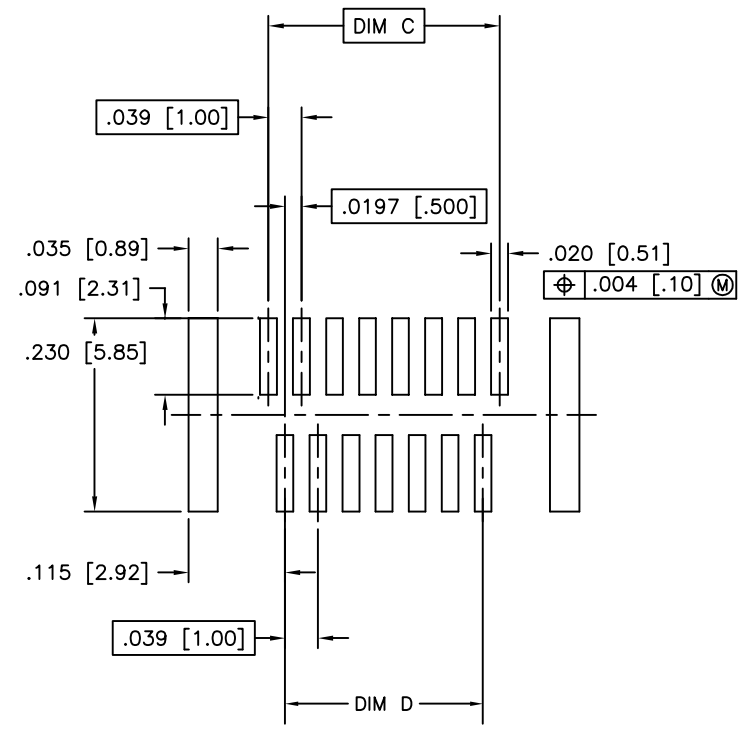
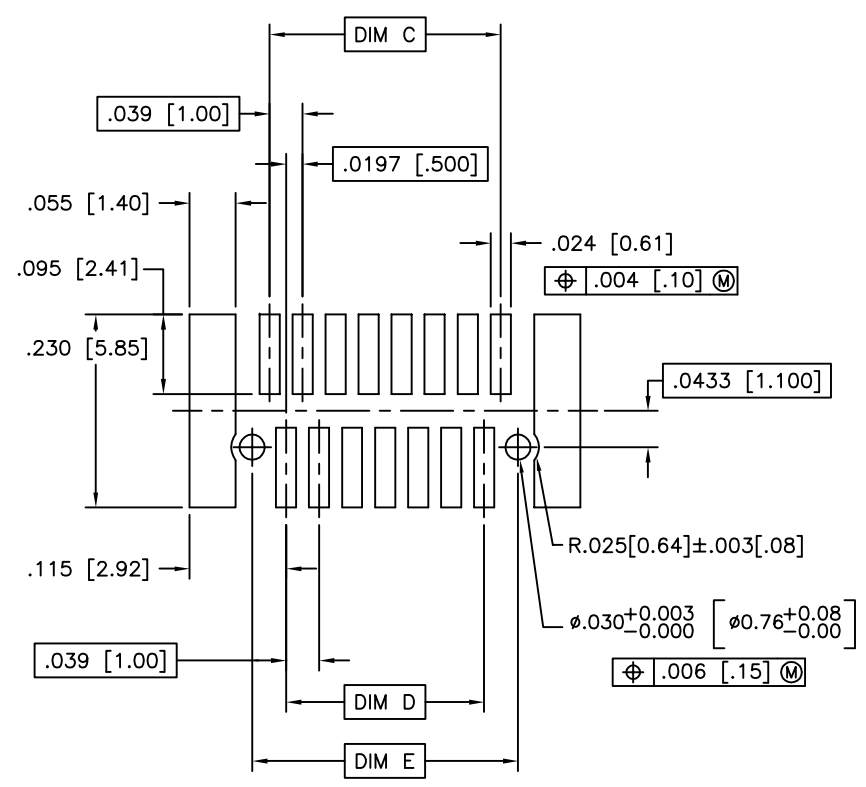
ACAD

Tous droits strictement reserves. Reproduction ou communication a des tiers interdite sous quelque forme que ce soit sans autorisation écrite du propriétaire. Propriete de c FCI. Droits de reproduction FCI.



All rights strictly reserved. Reproduction or issue to third parties in any form whatever is not permitted without written authority from the proprietor. Property of FCI. Copyright FCI.

PRODUCT NUMBER
SEE TABLE



mat'l. code —				tolerances unless otherwise specified		CUSTOMER COPY		www.fciconnect.com			
ltr	ecn no	dr	date	linear	.xx ±.01/.xx±.3	projection		title			
Y					.xxx ±.005/.xx±.13			CONAN™ CONNECTOR ASSEMBLY		product family CONAN	
					.xxxx ±.0020/.xxx±.051			size dwg no		code 213	
				angles	0° ±2°	INCH/MM		scale			
		dr	M.CORNMAN	04/29/94	5:1		A		91900		
		enr	D.WHITING	04/29/94					sheet 5 of 7		
		chr	D.WHITING	04/29/94							
		appd	D.WHITING	04/29/94							
sheet index	revision sheet										

cage code
22526

ACAD

Tous droits strictement reserves. Reproduction ou communication a des tiers interdite sous quelque forme que ce soit sans autorisation ecrite du propriétaire. Propriete de c FCI. Droits de reproduction FCI.



All rights strictly reserved. Reproduction or issue to third parties in any form whatever is not permitted without written authority from the proprietor. Property of FCI. Copyright FCI.

PRODUCT NUMBER	POS	DIM "A"	DIM "C"	DIM "D"	DIM "E"
919TC-WXY09	9	.366 [9.30]	.157 [4.00]	.118 [3.00]	.1990 [5.055]
↑ -WXY11	11	.406 [10.30]	.197 [5.00]	.157 [4.00]	.2380 [6.045]
-WXY15	15	.484 [12.30]	.276 [7.00]	.236 [6.00]	.3170 [8.052]
-WXY21	21	.602 [15.30]	.394 [10.00]	.354 [9.00]	.4350 [11.049]
-WXY25	25	.681 [17.30]	.472 [12.00]	.433 [11.00]	.5140 [13.056]
-WXY31	31	.800 [20.30]	.591 [15.00]	.551 [14.00]	.6320 [16.053]
-WXY41	41	.996 [25.30]	.787 [20.00]	.748 [19.00]	.8290 [21.057]
↓ -WXY51	51	1.193 [30.30]	.984 [25.00]	.945 [24.00]	1.0260 [26.060]
919TC-WXY69	69	1.547 [39.30]	1.339 [34.00]	1.299 [33.00]	1.3800 [35.052]

NOTES:

- MATERIALS:
RECEPTACLE HOUSING - LCP, COLOR; NATURAL.
RECEPTACLE TERMINALS - COPPER ALLOY, PLATED WITH 15u"/.38u GXT IN CONTACT AREA AND 100u"/2.54u SnPb ON SOLDER LEGS WITH AN OVERALL 50u"/1.27u Ni UNDERPLATE.
HEADER HOUSING - LCP, COLOR: NATURAL.
HEADER TERMINALS - COPPER ALLOY, PLATED WITH 15u"/.38u GXT IN CONTACT AREA AND 100u"/2.54u SnPb ON SOLDER LEGS WITH AN OVERALL 50u"/1.27u Ni UNDERPLATE.
RETENTION DEVICE - BRASS, PLATED WITH 100u"/2.54u SnPb OVER NICKEL.
- REFERENCE GS-12-006 FOR PRODUCT PERFORMANCE DATA.
- SEE TA-774 FOR FURTHER DESCRIPTION OF HOW THIS DIMENSION IS APPLIED.
- PICK AND PLACE CAP OR TAPE IS ONLY AVAILABLE WITH OPTION 3 PACKAGING. (PSA ADHESIVE SEALED). ALSO, PSA PACKAGING REQUIRES A PICK AND PLACE CAP.
- RECOMMENDED SOLDER PASTE THICKNESS IS .006 TO .008 INCHES THICK.
- THE TOE HEIGHT OF THE SOLDER TAIL SHALL BE MEASURED FROM THE LOWEST POINT OF THE .004 CO-PLANARITY GRAVITY PLANE. THIS MEASUREMENT IS NOT TO EXCEED A WINDOW OF .000 TO .007 INCHES.
- THREE SLOTS MAY BE LOCATED AT EITHER END OF HOUSING.
- 5.50mm MATED HEIGHT IS ONLY AVAILABLE IN 9, 15 AND 31 POS.
- 7.50mm MATED HEIGHT IS ONLY AVAILABLE IN 9 POS.
- APPLIES TO 91921-3XYZZ AND 91931- 3XYZZ OPTIONS ONLY.

mat'l. code				tolerances unless otherwise specified		CUSTOMER COPY		www.fciconnect.com	
ltr	ecn no	dr	date	linear	.xx ±.01/.x±.3		projection	title	
Y					.xxx ±.005/.xx±.13			CONAN™ CONNECTOR ASSEMBLY	
					.xxxx ±.0020/.xxx±.051				
				angles	0° ±2°		INCH/MM	product family CONAN	
				dr	R.SEIPLE	01/13/91		size	dwg no
				enrg	D.HORCHLER	01/10/92	scale	213	
				chr	D.HORCHLER	01/10/92	1:1	sheet	
				appd	D.HORCHLER	01/10/92	A		6 of 7
sheet index	revision sheet								

cage code
22526

ACAT

Tous droits strictement reserves. Reproduction ou communication a des tiers interdite sous quelque forme que ce soit sans autorisation écrite du propriétaire. Propriete de c FCI. Droits de reproduction FCI.



All rights strictly reserved. Reproduction or issue to third parties in any form whatever is not permitted without written authority from the proprietor. Property of FCI. Copyright FCI.

1 2		3 4	
PRODUCT NUMBER SEE TABLE			
CONAN ASSEMBLY PART NUMBER			
919 T C - W X Y ZZ			
	TYPE	T	
	HEADER WITH NO PEGS	0	
	HEADER WITH PEGS	1	
	RECEPTACLE WITH NO PEGS	2	
	RECEPTACLE WITH PEGS	3	
PICK AND PLACE CAP OR TAPE (NOTE 4)		C	
WITHOUT CAP OR TAPE		0	
WITH CAP		1	
WITH TAPE (RECEPTACLE ONLY)		2	
PACKAGING		W	
TUBE		2	
PRESSURE SEALED TAPE & REEL		3	NOTE 4
Y	HEADER HEIGHT	RECEPTACLE HEIGHT	MATED HEIGHT
1	.034 [.86]	.129 [3.28]	.163 [4.15]
2	.048 [1.23]	SEE Y=1 FOR ALL RECEPTACLES	.177 [4.50]
3	.068 [1.73]		.197 [5.00]
4	.107 [2.72]		.236 [6.00]
5	.1465 [3.721]		.276 [7.00]
* 6	.088 [2.23]		.216 [5.50]
* * 7	.1665 [4.229]		.296 [7.52]
X	PLATING		
1	15u"/.38u GXT		
2	30u"/.76u GXT		
ZZ	NUMBER OF POSITIONS		
09	9		
11	11		
15	15		
21	21		
25	25		
31	31		
41	41		
51	51		
69	69		

* NOTE 8
* * NOTE 9

EXAMPLE: 91921-31125
IS A CONAN RECEPTACLE ASSEMBLY, HAVING NO PEGS AND WITH A PICK AND PLACE CAP. IT ALSO HAS GXT PLATING, IS .13 [3.2] HIGH AND 25 POSITIONS AND IS PACKAGED IN PRESSURE SEALED TAPE & REEL.

mat'l. code				tolerances unless otherwise specified				CUSTOMER COPY		www.fciconnect.com	
ltr	ecn no	dr	date	linear	.xx ±.01/.x±.3			projection	title		
Y					.xxx ±.005/.xx±.13				CONAN™ CONNECTOR ASSEMBLY		
					.xxxx ±.0020/.xxx±.051				product family CONAN code 213		
				angles	0° ±2°				size dwg no		
				dr	M.CORNMAN	04/29/94	INCH/MM		91900		
				enr	D.WHITING	04/29/94		scale 1:1	sheet 7 of 7		
				chr	D.WHITING	04/29/94					
				appd	D.WHITING	04/29/94					
sheet index	revision sheet										

ACAD

cage code
22526